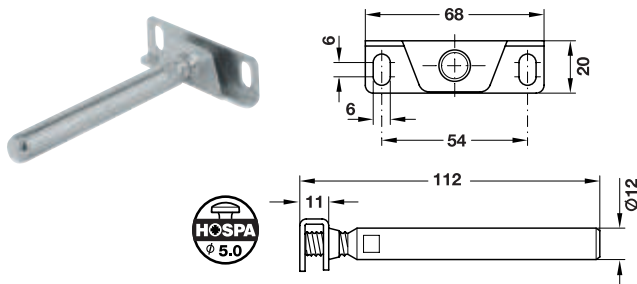


**Shelf support**

For concealed installation,  
with screw-on plate

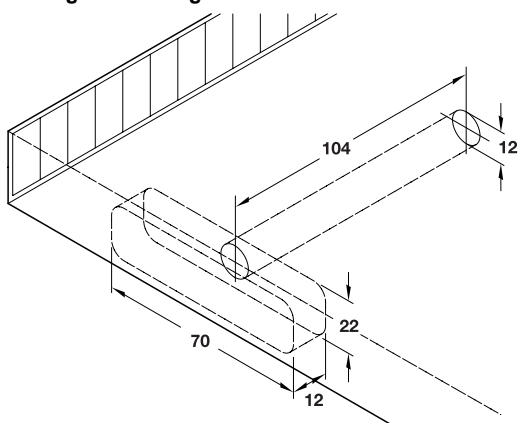


- Material: Steel
- Finish: Galvanized
- Version: With screw-on plate
- For shelf thickness: min. 24 mm
- For shelf depth: max. 300 mm
- Load bearing capacity: 80 – 200 kg/m<sup>2</sup>
- Adjustment facility: Inclination adjustment: Via support bolt, height adjustment: Via slots in screw-on plate
- Installation: For screw fixing (concealed fixing in wooden cabinet or masonry wall)

**Load bearing capacity**  
(with shelf support spacing = max. 700 mm  
and evenly distributed load)

Shelf depth mm	max. load bearing capacity kg/m <sup>2</sup>
200	200
250	140
300	80

**Drilling and routing dimensions in shelf**

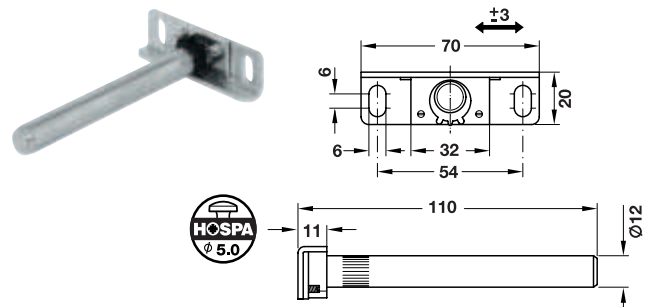


	Cat. No.
Shelf support for concealed installation, with screw-on plate	283.33.910

Packing: 1 or 20 pieces

**Shelf support**

For concealed installation,  
with screw-on plate and side adjustment

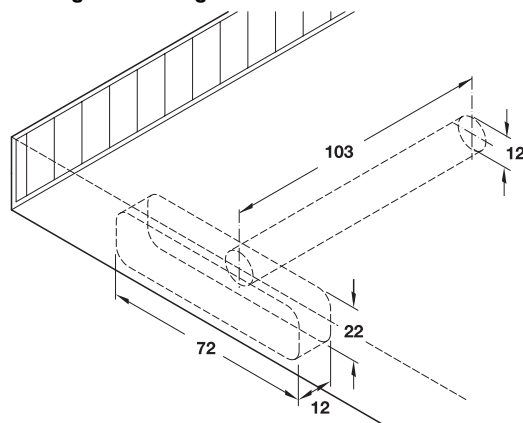


- Material: Steel, eccentric sleeve: Plastic
- Finish: Galvanized
- Colour: Eccentric sleeve: Black
- Version: With screw-on plate and eccentric sleeve
- For shelf thickness: min. 24 mm
- For shelf depth: max. 300 mm
- Load bearing capacity: 50 – 180 kg/m<sup>2</sup>
- Adjustment facility: Inclination adjustment: Via adjusting screws, height adjustment: Via slots in screw-on plate
- Installation: For screw fixing (concealed fixing in wooden cabinet or masonry wall)

**Load bearing capacity**  
(with shelf support spacing = max. 700 mm  
and evenly distributed load)

Shelf depth mm	max. load bearing capacity kg/m <sup>2</sup>
175	180
200	160
225	130
250	100
275	80
300	50

**Drilling and routing dimensions in shelf**



	Cat. No.
Shelf support for concealed installation, with screw-on plate and side adjustment	283.33.904

Packing: 1 or 20 pieces

DGH-M-INT 2008, HDE-en, 09/08; Dimensional data not binding. We reserve the right to alter specifications without notice.